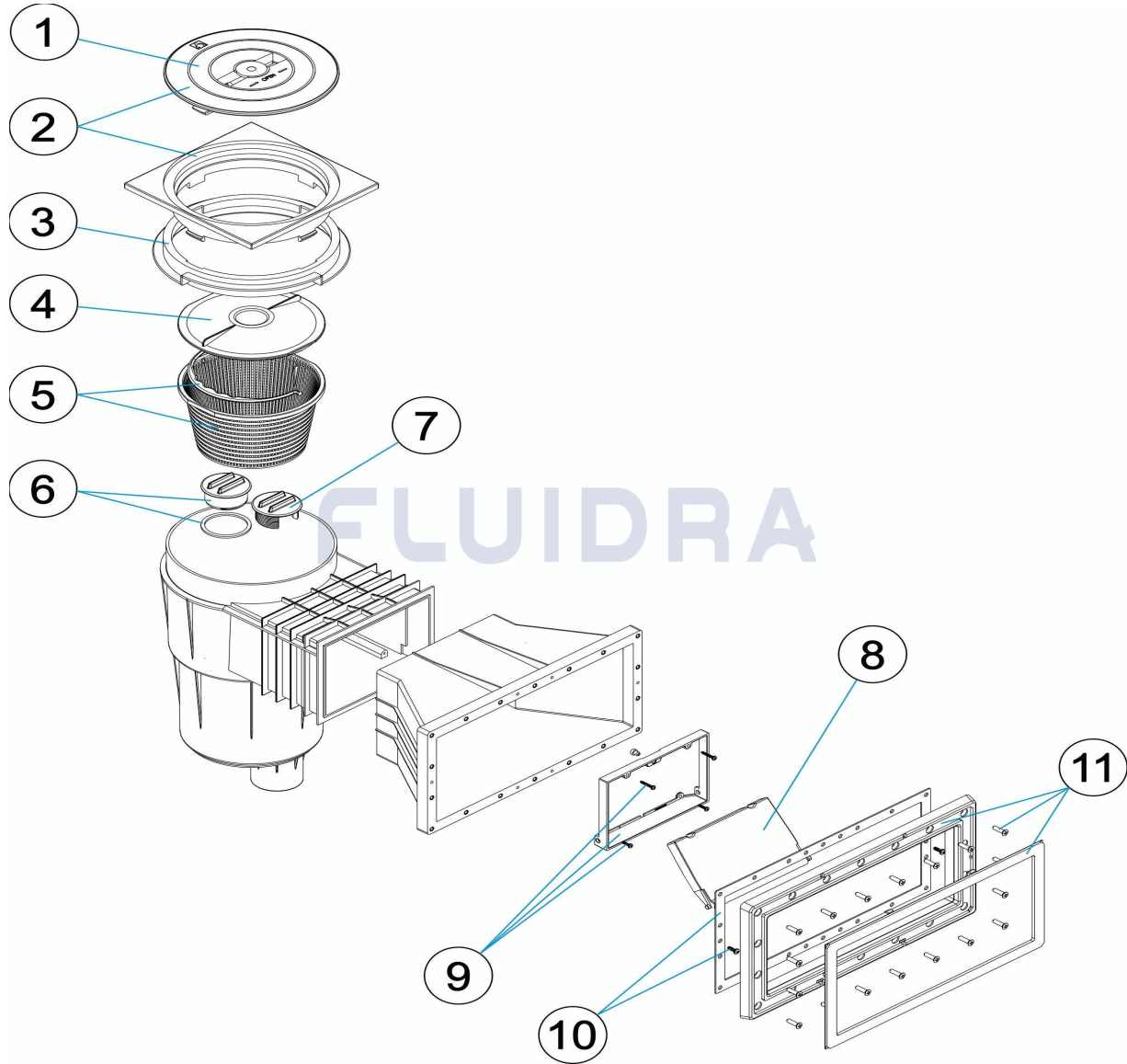


CODE 11311, 11311CL090, 11311CL129, 11311CL144

DESCRIPTION: SKIMMER 17.5L PP WIDE MOUTH SQUARE COVER



**ENGLISH**

POS	CODE	DESCRIPTION	QUANTITY	POS	CODE	DESCRIPTION	QUANTITY
1	* 4402010509	SKIMMER LID		7	4402010502	REGULATING PLUG	
1	* 4402010064	SKIMMER LID		8	* 4402010501	SKIMMER FLAP	
1	* 4402010066	SKIMMER LID		8	* 4402010076	SKIMMER FLAP	
1	* 4402010041	SKIMMER LID		8	* 4402010079	SKIMMER FLAP	
2	* 4402010510	SQUARE RIM AND LID		8	* 4402010080	SKIMMER FLAP	
2	* 05280-0700CL090	SQUARE RIM AND LID		9	* 4402010508	FLAP FRAME	
2	* 05280-0700CL129	SQUARE RIM AND LID		9	* 4402010119	FLAP FRAME	
2	* 05280-0700CL144	SQUARE RIM AND LID		9	* 4402010120	FLAP FRAME	
3	* 4402010506	COLLAR EXTENSION RING		9	* 4402010042	FLAP FRAME	
3	* 4402010073	COLLAR EXTENSION RING		10	4402014101	LINER POOL GASKET	
3	* 4402010075	COLLAR EXTENSION RING		11	* 4402010408	SKIMMER FRAME FOR LINER	
3	* 4402010039	COLLAR EXTENSION RING		11	* 4402010100	SKIMMER FRAME FOR LINER	
4	4402010505	VACUUM PLATE		11	* 4402010125	SKIMMER FRAME FOR LINER	

\* SEE OBSERVATIONS SHEET

CODE                    **11311, 11311CL090, 11311CL129, 11311CL144**

DESCRIPTION: **SKIMMER 17.5L PP WIDE MOUTH SQUARE COVER**

5	4402010504	BASKET 17,5 LITRES	11	* 4402010124	SKIMMER FRAME FOR LINER
6	4402010503	BLANKING PLUG AND 'O' RING			

CODE **11311, 11311CL090, 11311CL129, 11311CL144**

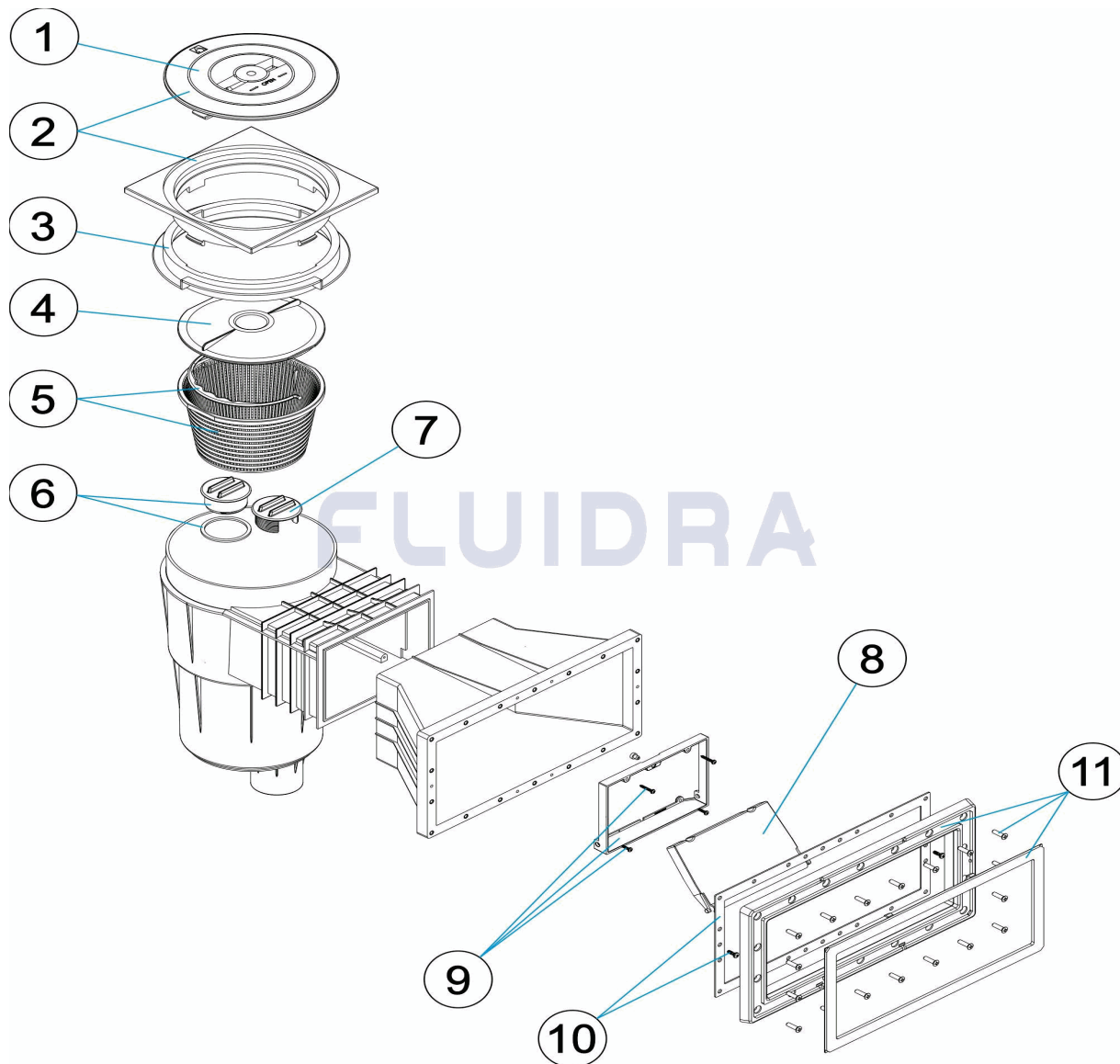
DESCRIPTION: **SKIMMER 17.5L PP WIDE MOUTH SQUARE COVER**

## OBSERVATIONS

POS	CODE	OBSERVATIONS
1	* 4402010509	FOR: 11311 BLANCO / WHITE
1	* 4402010064	FOR: 11311CL090 BEIGE
1	* 4402010066	FOR: 11311CL129 GRIS / GREY
1	* 4402010041	FOR: 11311CL144 ANTRACITA / ANTHRACITE
2	* 4402010510	FOR: 11311 BLANCO / WHITE
2	* 05280-0700CL090	FOR: 11311CL090 BEIGE
2	* 05280-0700CL129	FOR: 11311CL129 GRIS / GREY
2	* 05280-0700CL144	FOR: 11311CL144 ANTRACITA / ANTHRACITE
3	* 4402010506	FOR: 11311 BLANCO / WHITE
3	* 4402010073	FOR: 11311CL090 BEIGE
3	* 4402010075	FOR: 11311CL129 GRIS / GREY
3	* 4402010039	FOR: 11311CL144 ANTRACITA / ANTHRACITE
8	* 4402010501	FOR: 11311 BLANCO / WHITE
8	* 4402010076	FOR: 11311CL090 BEIGE
8	* 4402010079	FOR: 11311CL129 GRIS / GREY
8	* 4402010080	FOR: 11311CL144 ANTRACITA / ANTHRACITE
9	* 4402010508	FOR: 11311 BLANCO / WHITE
9	* 4402010119	FOR: 11311CL090 BEIGE
9	* 4402010120	FOR: 11311CL129 GRIS / GREY
9	* 4402010042	FOR: 11311CL144 ANTRACITA / ANTHRACITE
11	* 4402010408	FOR: 11311 BLANCO / WHITE
11	* 4402010100	FOR: 11311CL090 BEIGE
11	* 4402010125	FOR: 11311CL129 GRIS / GREY
11	* 4402010124	FOR: 11311CL144 ANTRACITA / ANTHRACITE

CODICE 11311, 11311CL090, 11311CL129, 11311CL144

DESCRIZIONE: SKIMMER 17,5L PP B. AMPL. TAPPO QUADRATO



ITALIANO

POS	CODICE	DESCRIZIONE	QUANTITA'	POS	CODICE	DESCRIZIONE	QUANTITA'
1	* 4402010509	COPERCHIO SKIMMER		7	4402010502	TAPPO DI REGOLAZIONE	
1	* 4402010064	COPERCHIO SKIMMER		8	* 4402010501	BATTENTE SKIMMER CON CLIP	
1	* 4402010066	COPERCHIO SKIMMER		8	* 4402010076	BATTENTE SKIMMER CON CLIP	
1	* 4402010041	COPERCHIO SKIMMER		8	* 4402010079	BATTENTE SKIMMER CON CLIP	
2	* 4402010510	FLANGIA QUADRATA E COPERCHIO		8	* 4402010080	BATTENTE SKIMMER CON CLIP	
2	* 05280-0700CL090	FLANGIA QUADRATA E COPERCHIO		9	* 4402010508	CORNICE BATTENTE SKIMMER	
2	* 05280-0700CL129	FLANGIA QUADRATA E COPERCHIO		9	* 4402010119	CORNICE BATTENTE SKIMMER	
2	* 05280-0700CL144	FLANGIA QUADRATA E COPERCHIO		9	* 4402010120	CORNICE BATTENTE SKIMMER	
3	* 4402010506	ANELLO DISTANZIATORE SKIMMER		9	* 4402010042	CORNICE BATTENTE SKIMMER	
3	* 4402010073	ANELLO DISTANZIATORE SKIMMER		10	4402014101	GUARNIZIONE PISCINA PREF	
3	* 4402010075	ANELLO DISTANZIATORE SKIMMER		11	* 4402010408	FLANGIA BOCCA SKIMMER PER PISCINA IN	
3	* 4402010039	ANELLO DISTANZIATORE SKIMMER		11	* 4402010100	FLANGIA BOCCA SKIMMER PER PISCINA IN	
4	4402010505	COPERCHIO CESTELLO SKIMMER		11	* 4402010125	FLANGIA BOCCA SKIMMER PER PISCINA IN	

\* SI FACCIA RIFERIMENTO AL FOGLIO DELLE OSSERVAZIONI